

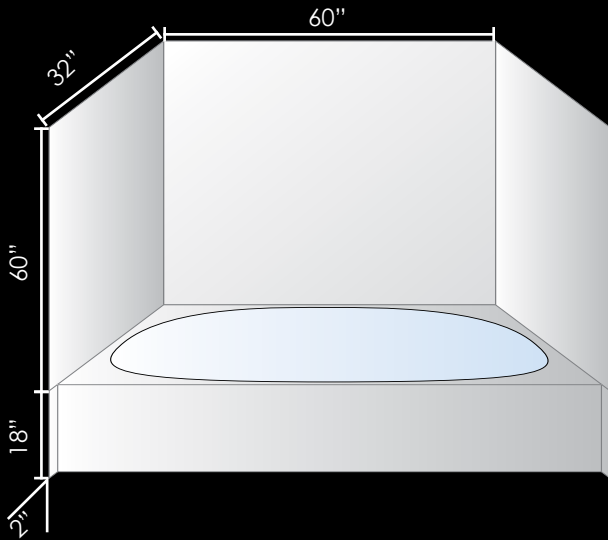
Value

Venetian

Other Brands



Venetian brings added value, saving you time and money on tub surrounds.



Venetian Marble is the first 60"+ wide engineered marble in the industry. All previous offerings were 48" wide. This meant there had to be a seam on the back wall that took more time to install and created substantial waste. With Venetian marble full "No Seam" back wall installations are now possible in standard 60" wide bathtubs making for better looking, easier and faster installations with very little off-fall waste.

Stronger

Venetian is flexuarly stronger than natural marble substantially reducing breakage during fabrication and installation.

Color Consistent

Though shade variation is inherent, Venetian is more consistent than natural marble providing a "lower risk" choice when specifying projects where color consistency is important.

Affordable

Venetian brings you a better value on your investment, providing a superior product that affords less waste, better looking installations at competitive pricing to all other engineered marble brands.

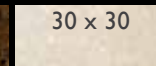
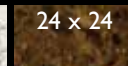
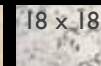
Size and formats

Slabs (In Stock Now!)



96" x 65" X 5/8"
2 and 3 cm slabs are available by special order*

Tiles (Special Order)



*Allow 60 to 90 days lead times from date of order to receipt of goods on special order materials.

Venetian

Marble Surfaces





Venetian

Marble Surfaces



Polar White



Champagne Limestone



Tibetan Beige



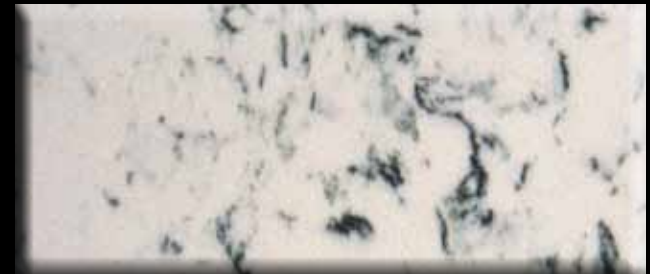
Blanco Perlato



Café Emperador



Milano Beige



Swiss Blanco